



Flush-mount LCD
multimeters.
expandable
DMG610
Three-phase +
neutral

Product designation

Product type designation

Type

Auxiliary supply Us

| | | |
|-----------------------------------|-----|-----------|
| Auxiliary rated supply voltage AC | VAC | 100...440 |
| Auxiliary rated supply voltage DC | VDC | 120...250 |
| Auxiliary operating voltage range | | |
| AC | | |
| | min | VAC 90 |
| | Max | VAC 484 |
| DC | | |
| | min | VDC 93.5 |
| | Max | VDC 300 |

| | | |
|-----------------------|-----|-------|
| Operational frequency | | |
| | min | Hz 45 |
| | max | Hz 66 |

| | | |
|-------------------|-----|--------|
| Power consumption | Max | VA 9.5 |
|-------------------|-----|--------|

| | | |
|-----------------------|---|-----|
| Power dissipation Max | W | 3.5 |
|-----------------------|---|-----|

Measuring voltage inputs

| | | |
|--------------------|---------------|---------|
| Rated voltage (Ue) | | |
| | phase-phase | VAC 600 |
| | phase-neutral | VAC 300 |

| | | |
|-------------------------|---------------|--------------|
| Operating voltage range | | |
| | phase-phase | VAC 50...720 |
| | phase-neutral | VAC 30...360 |

| | | |
|--------------------------------------|-----|-------|
| Voltage inputs operational frequency | | |
| | min | Hz 45 |
| | max | Hz 66 |

| | | |
|-----------------------------------|--|----------|
| Voltage inputs measurement method | | True RMS |
|-----------------------------------|--|----------|

| | | |
|-------------------|--|--|
| Connection method | | Single. two. three-phase with or without neutral. balanced three- phase system |
|-------------------|--|--|

Current inputs

| | | |
|--------------------|---|-------|
| Rated current (Ie) | A | 1A/5A |
|--------------------|---|-------|

| | | |
|-------------------|--|------------|
| Measurement range | | 0.025...6A |
|-------------------|--|------------|

| | | |
|--------------------|--|------|
| Measurement method | | TRMS |
|--------------------|--|------|

| | | |
|-------------------|--|--|
| Overload capacity | | +20% Ie by external CT with 5A secondary |
|-------------------|--|--|

| | | |
|---------------|---|------------|
| Overload peak | A | 50A for 1s |
|---------------|---|------------|

Accuracy

| | |
|-----------------|---------------------------|
| VLN voltage | ±0.5% |
| VLL voltage | ±0.5% |
| Current | ±0.5% |
| Frequency | ±0.05% |
| Active power | ±0.5% |
| Active energy | Class 1 (IEC/EN 62053-21) |
| Reactive energy | Class 2 (IEC/EN 62053-23) |

RS485 serial interface

| | | |
|-----------|-----|-------------------------------|
| Baud rate | bps | Programmable 1200...115200 |
|-----------|-----|-------------------------------|

Insulations

| | | |
|---------------------------------------|----|-----|
| Rated insulation voltage Ui IEC/EN | V | 600 |
| Rated impulse withstand voltage Uimp | kV | 9.5 |
| Operating frequency withstand voltage | kV | 5.2 |

Functions

| | |
|---------------------------------|------------|
| Harmonic analysis | 15th order |
| PLC logic | No |
| Type of communication port | RS485 |
| Ethernet-RS485 gateway function | No |

Mechanical features

| | |
|-------------------------|-------------------------|
| Housing type | Polyamide |
| Terminals type | Removable |
| Conductor cross section | min mm ² 0.2 |
| | Max mm ² 2.5 |
| | min AWG 24 |
| | Max AWG 12 |

| | | |
|-------------------------|------|-----|
| Tightening torque (Max) | Nm | 0.5 |
| | lbin | 4.5 |

| | |
|--------|----------------|
| Fixing | Flush-mounting |
| Weight | g 350 |

Ambient conditions

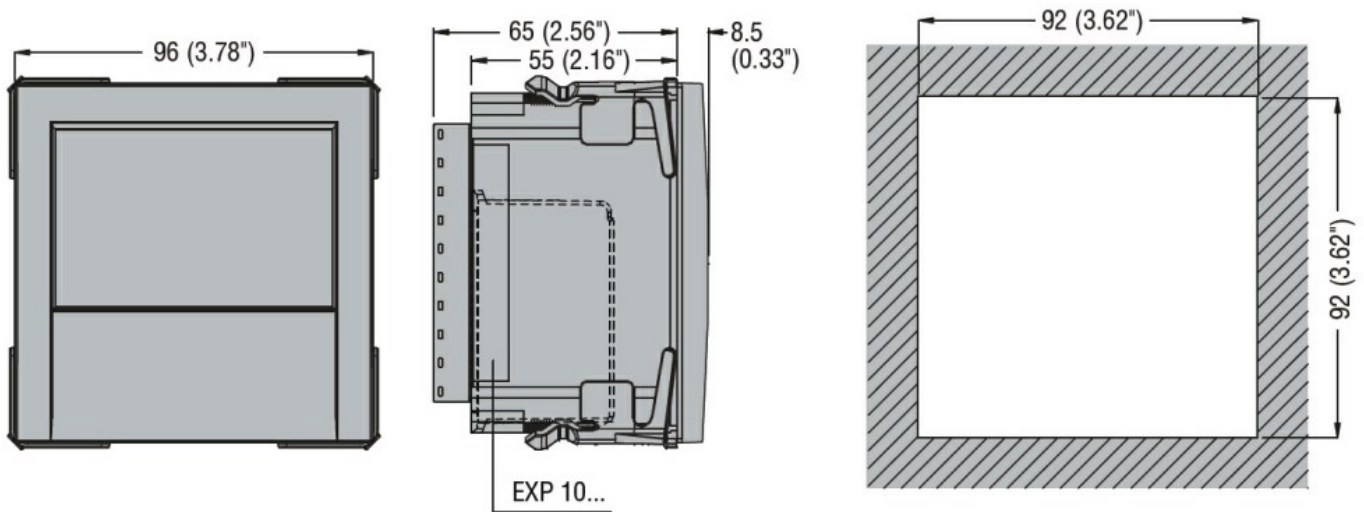
| | | |
|-------------|-----------------------|------------|
| Temperature | Operating temperature | min °C -20 |
| | | max °C +60 |

| | | |
|--|---------------------|------------|
| | Storage temperature | min °C -30 |
| | | max °C +80 |

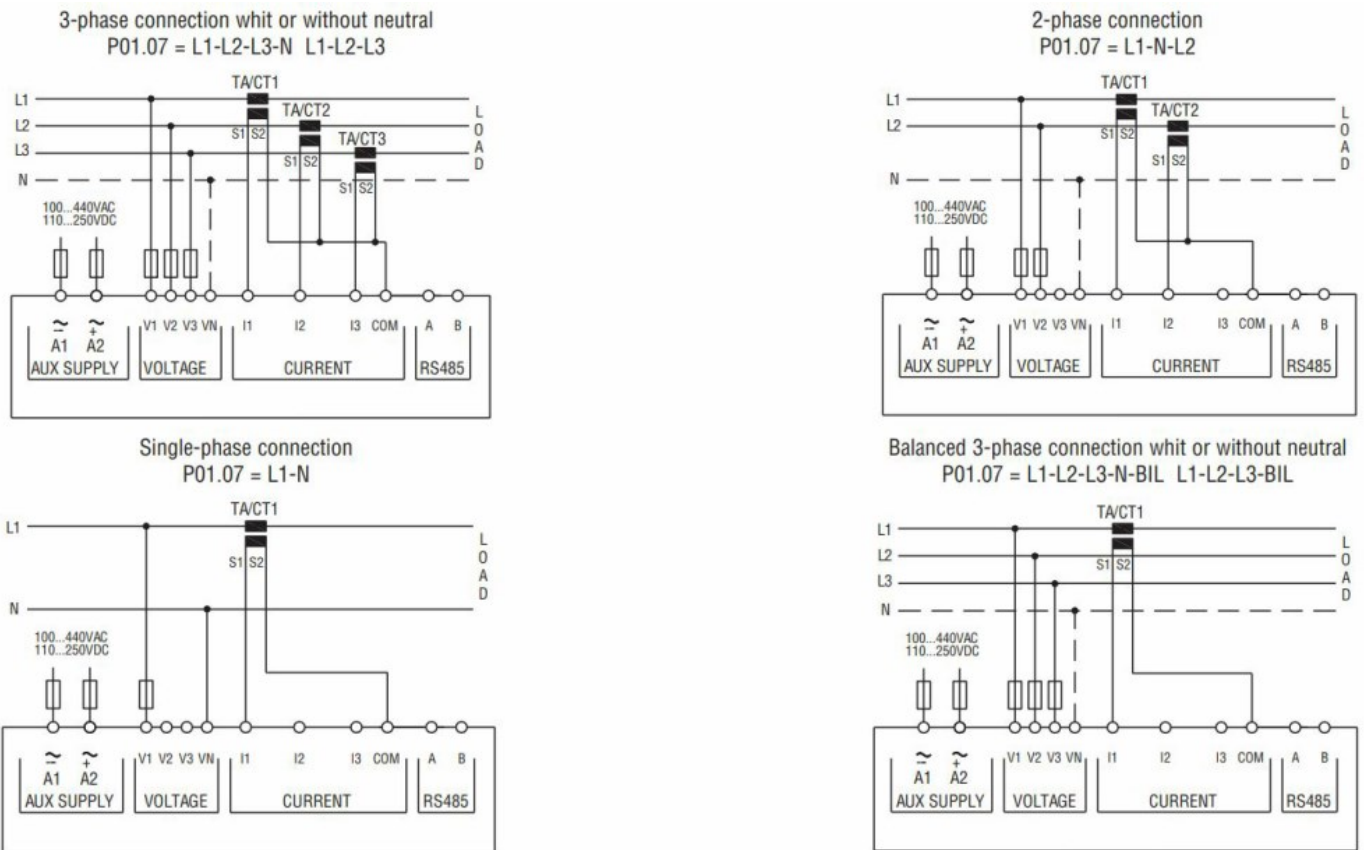
| | | |
|--------------------------|---|-----|
| Relative humidity | % | <90 |
| Maximum Pollution degree | | 2 |

| | |
|-------------------|-----------------------------------|
| Protection degree | IP54 on front - IP20 terminals |
|-------------------|-----------------------------------|

Dimensions



Wiring diagrams



Certifications and compliance

Compliance

- CSA 22.2 n°61010-1
- IEC/EN 61000-6-2
- IEC/EN 61000-6-3
- IEC/EN 61010-1
- IEC/EN 61010-2-030
- UL61010-1

Certificates

- cULus
- EAC
- GOST

RCM

ETIM classification

ETIM 8.0

EC002301 -
Multifunction
measuring
instrument