



Panel m. color
glcd mult.,
Ethernet
DMG8000
Three-phase +
neutral

Product designation

Product type designation

Type

Auxiliary supply Us

Auxiliary rated supply voltage AC	VAC	100...240
Auxiliary rated supply voltage DC	VDC	110...250
Auxiliary operating voltage range		
AC	min VAC	90
	Max VAC	264
DC	min VDC	100
	Max VDC	300

Operational frequency	min Hz	45
	max Hz	66

Power consumption	Max VA	15
-------------------	--------	----

Power dissipation Max	W	6
-----------------------	---	---

Measuring voltage inputs

Rated voltage (Ue)	phase-phase VAC	600
	phase-neutral VAC	347

Operating voltage range	phase-phase VAC	40...830
	phase-neutral VAC	5...480

Voltage inputs operational frequency	min Hz	45 and 360
	max Hz	66 and 440

Voltage inputs measurement method	True RMS
-----------------------------------	----------

Connection method	Single. Two. Three-phase with or without neutral. Balanced three-phase system. Three-phase ARON.
-------------------	--

Current inputs

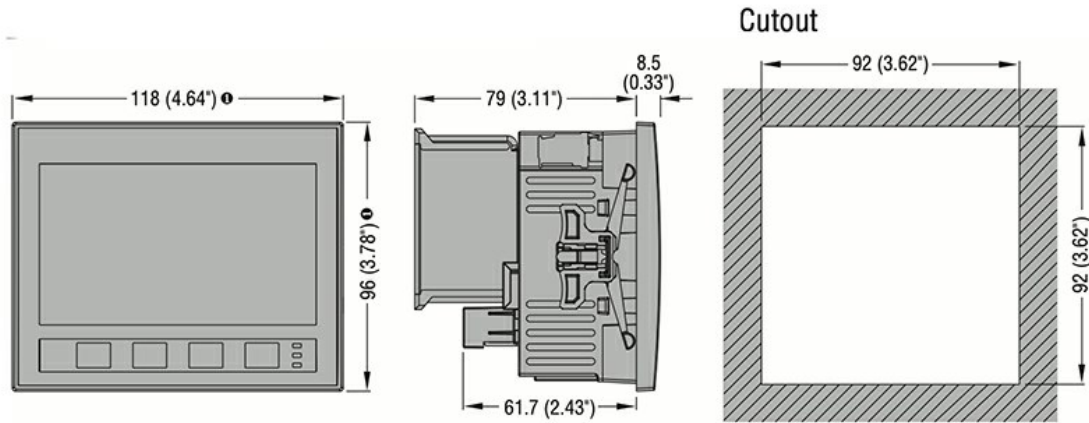
Rated current (Ie)	A	1A/5A
Measurement range		0.004...6
Measurement method		TRMS

Overload capacity			+20% Ie by external CT with 5A secondary
Overload peak	A		120A for 0.5s
Accuracy			
	VLN voltage		Class 0.2 (IEC/EN 61557-12), V:50-480V~
	VLL voltage		Class 0.2 (IEC/EN 61557-12), V:87-830V~
	Current		Class 0.2 (IEC/EN 61557-12), In:5A~
	Frequency		Class 0.02 (IEC/EN 61557-12)
	Active power		Class 0.5 (IEC/EN 61557-12)
	Reactive power		Class 1 (IEC/EN 61557-12)
	Active energy		Class 0.5s (IEC/EN 62053-22)
	Reactive energy		Class 1 (IEC/EN 62053-24)
	THD		Class 5 (IEC/EN 61557-12)
	2nd 15th order harmonics		Class 5 (IEC/EN 61557-12)
Insulations			
Rated insulation voltage Ui IEC/EN	V		600
Rated impulse withstand voltage Uimp	kV		9.6
Operating frequency withstand voltage	kV		5.4
Functions			
Harmonic analysis			63rd order
PLC logic			Yes
Type of communication port			Ethernet
Ethernet-RS485 gateway function			+EXP1012
Data logging memory			Yes
Neutral/earth current and voltage monitoring			No
Statistics of network quality according to EN50160			No
EASY BRANCH support			Yes
Mechanical features			
Housing type			Xantar RAL 7035
Terminals type			Removable
Conductor cross section	min	mm ²	0.2
	Max	mm ²	2.5
	min	AWG	24
	Max	AWG	12
Tightening torque (Max)		Nm	0.5
		lbin	4.5

POWER ANALYZER WITH WIDESCREEN COLOUR LCD. AUXILIARY SUPPLY 100...240VAC.
EXPANDABLE WITH 3 EXP... MODULES, BUILT-IN ETHERNET PORT, DATA MEMORY FOR
LOGGING, COMPATIBLE WITH EASY BRANCH POWER MONITORING SYSTEM

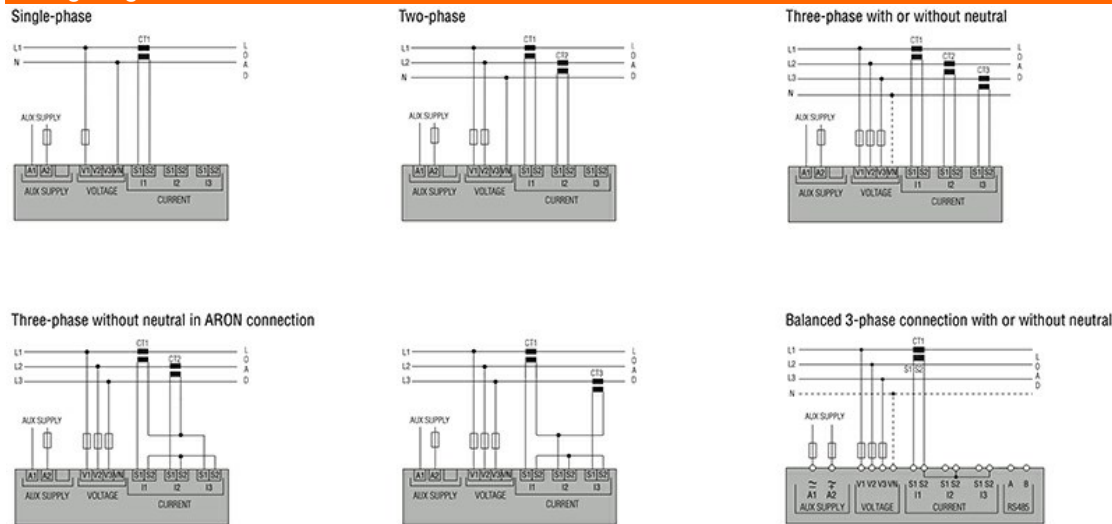
Fixing	Flush-mounting	
Weight	g	420
Ambient conditions		
Temperature		
Operating temperature		
	min	°C -20
	max	°C +60
Storage temperature		
	min	°C -30
	max	°C +80
Relative humidity	%	<80
Maximum Pollution degree	2	
Protection degree	IP65	

Dimensions

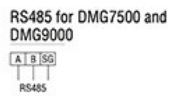


① Dimensions with gasket: 122x100mm/4.80x3.94".

Wiring diagrams



CODE	AUX SUPPLY
DMG100-110-200-210-300	100...240VAC 110...250VDC
DMG6...	100...440VAC 110...250VDC
DMG7000-7500-8000-9000	100...240VAC 110...250VDC



Certifications and compliance

Compliance

CSA 22.2 No 61010-2-030
CSA C22.2 No 61010-1

POWER ANALYZER WITH WIDESCREEN COLOUR LCD. AUXILIARY SUPPLY 100...240VAC.
EXPANDABLE WITH 3 EXP... MODULES, BUILT-IN ETHERNET PORT, DATA MEMORY FOR
LOGGING, COMPATIBLE WITH EASY BRANCH POWER MONITORING SYSTEM

IEC/EN/BS 61000-6-2

IEC/EN/BS 61000-6-4

IEC/EN/BS 61010-1

IEC/EN/BS 61010-2-030

UL61010-1

UL61010-2-030

Certificates

CE

cETLus

EAC

UKCA

ETIM classification

ETIM 8.0

EC002301 -
Multifunction
measuring
instrument